

WARRANTY

Within 30 days of purchase: Return to retailer from which you purchased for repair or replacement.

Within 5 years of purchase: Return to Olight for repair or replacement.

This warranty does not cover normal wear and tear, modifications, misuse, disintegrations, negligence, accidents, improper maintenance, or repair by anyone other than an Authorized retailer or Olight itself.



Technical Support Inquiries

techsupport@olightworld.com

Customer Service

cs@olightworld.com

Visit www.olightworld.com to see our complete product line of portable illumination tools.



Olight Technology Co., Limited
2/F, Building A, B3 Block, Fuhai Industrial Park, Fuyong, Bao'an District, Shenzhen, China 518103

APR 15, 2015

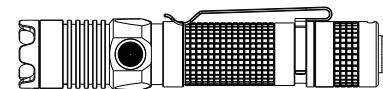
MADE IN CHINA



M1X STRIKER

VARIABLE-OUTPUT DUAL-SWITCH LED FLASHLIGHT

USER MANUAL



Thank you for purchasing the Olight M1X Striker flashlight! Please read this manual carefully before using this product.

INSIDE THE BOX

M1X Striker, lanyard, battery magazine, (2) o-rings, user manual,

HOW TO OPERATE (FIG A)

ON/OFF:

Click the tailcap switch.

MOMENTARY ON:

Half press the tailcap switch. A half press is a light push of the tailcap switch without clicking.

CHANGE BRIGHTNESS LEVEL:

When the flashlight is on, single click the side switch next to the flashlight head to select low-medium-high or burst mode. Double half press the tail switch to reach the highest brightness level when the light is off.

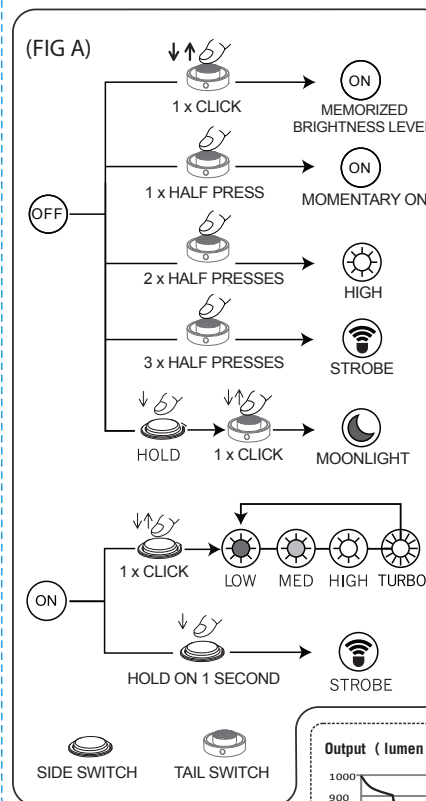
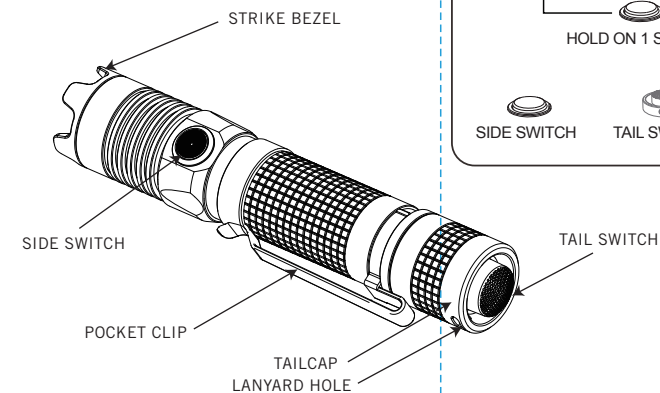
STROBE:

1. Quickly half press the tailcap switch three times when the light is off. (cannot be memorized)
2. Press the side switch and hold for 1 second when the light is on.

MOONLIGHT:

Hold the side switch first and then press the tail switch.

PRODUCT PARTS

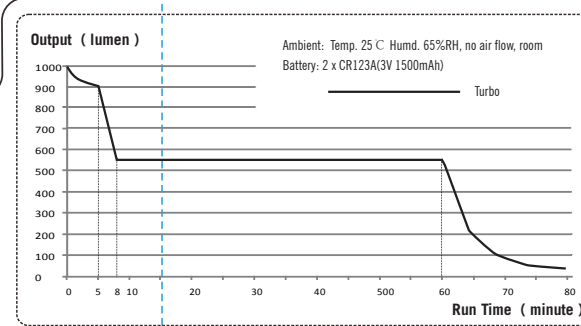


SPECIFICATIONS

TURBO	1000 lumens / 5 min+ 550 lumens / 55 min
HIGH	350 lumens / 2 hours
MID	60 lumens / 12 hours
LOW	10 lumens / 60 hours
MOONLIGHT	0.5 lumens / 360 hours
STROBE	10 Hz / 1000 lumens
LED	Cree XM-L2 CW
VOLTAGE	2.8v TO 8.4v
CANDELA	9,000 cd
BEAM DISTANCE	190 meters / 623 feet
BATTERY TYPE	1 x 18650 or 2 x CR123A/RCR123A
BODY TYPE	type III hard anodized aluminum
WATERPROOF	IPX8 (up to 2 meters)
IMPACT RESISTANCE	1.5 meters
DIMENSIONS	L 136mm x D 26mm/5.35 in x 1.02 in
WEIGHT	80 g/ 2.82 oz(excluding batteries)

Note: testing done with 2 x CR123A batteries (3.0V 1500mAh)
All performance claims to ANSI/NEMA FL1-2009 Standard.

OUTPUT & RUNTIME



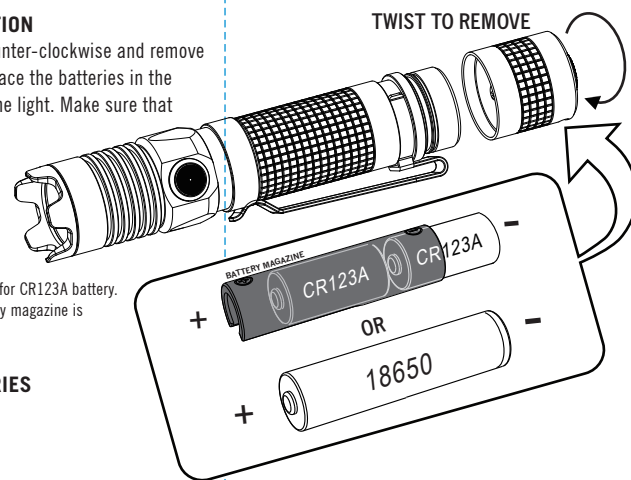
BATTERY INSTALLATION

Unscrew the tail cap counter-clockwise and remove the battery magazine. Place the batteries in the magazine and put it in the light. Make sure that the positive contact is facing the head of flashlight. Tighten the tail cap clockwise as far as it can go.

Battery magazine is designed for CR123A battery. If with 18650 batteries, battery magazine is unnecessary.

SUPPORTED BATTERIES

- 1 x 18650
- 2 x CR123A
- 2 x RCR123A



WARNING:

- Do not mix rechargeable and non-rechargeable batteries.
- Do not mix batteries of different types/brands.
- Do not use unsupported batteries with this flashlight.
- Use caution on high outputs or long runtimes as flashlight may get hot.